



## Extensive functions and intuitive operation

The pedestrian gates of the FlowMotion<sup>®</sup> series can be controlled with all common reading devices. The front faces allow installation of numerous card-reading models, ensuring maximum flexibility. The product is characterised by an extremely slender silhouette, shapely form and flowing lines.

The lean design harmonically integrates itself in architecturally demanding surroundings, and its inviting shape increases user acceptance.

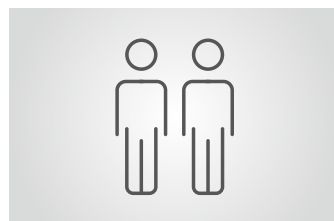
The housing consists of the specially developed two-component polymer mDure<sup>®</sup>. This material opens up previously impossible design potentials.

Unlike stainless steel, mDure is not cold and hard but instead feels comfortably warm and nice to touch. A friendly reception for visitors is thus provided on entering the building.



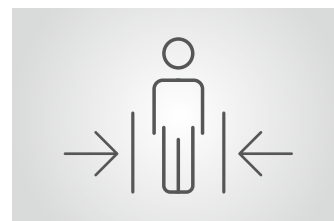
### Unobstructed escape routes

FlowMotion<sup>®</sup> gates provide free passage if there is a power outage or alarm signal. They automatically resume operation when the alarm is over or power has been restored.



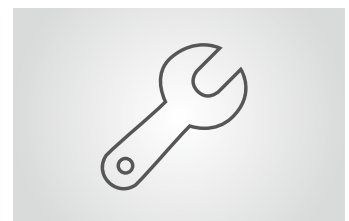
### Large visitor numbers

It makes sense to use several parallel lines if large numbers of visitor authorisations need confirmation within a very short time. All FlowMotion<sup>®</sup> pedestrian gates are suitable for the straightforward setting up of multiple applications thanks to their uniform stylistic language and control technology.



### Secure access control

Light sensors (optional) raise the alarm if someone climbs over or crawls under the pedestrian gates. Interlocking in the closed state (optional) prevents any forced entry.



### Rapid installation

Our pedestrian gates are supplied ready for installation. All the selected options have already been installed, and the corresponding parameters preset, before delivery to the point of use. This, and the drilling templates, considerably shorten commissioning times.

# mTripod

## Three-arm turnstile

- > Revolutionary design, won German Design Award 2018
- > Extensive functions and intuitive operation
- > Drop-arm mechanism (optional) permits passage during power outages or alarms
- > Ethernet plug-in module for IP connection (optional)
- > Designed for more than 10 million opening and closing cycles



Technical data	mTripod	mTripod short
Housing variants	Long	Short
Application	Indoor and outdoor	Indoor and outdoor
Passage width	515 mm	515 mm
Flow ratings (number of persons per min.) <sup>1</sup>	approx. 20	approx. 20
Drive technology	MHTM™	MHTM™
Control system	MGC	MGC
Voltage	100–240 V AC, 50/60 Hz	100–240 V AC, 50/60 Hz
Power consumption	Typical 30 W	Typical 30 W
Duty cycle	100%	100%
Housing material	mDure	mDure
Housing dimensions (L x W x H)	1300 x 290 x 1050 mm	730 x 290 x 1050 mm
Enclosure rating	IP 54	IP 54
Weight	About 70 kg	About 57 kg
Temperature range	–30 to +55 °C	–30 to +55 °C

<sup>1</sup> Depending on reader, lock setting, person behaviour

### Features

Direction of passage	Uni- or bi-directional
Emergency release	On power outage or closing of alarm contacts
Random generator	Integrated in control system
Throughput data acquisition and event log	Integrated in control system
Control system inputs and outputs	8 digital inputs, 4 digital outputs, and 6 relay outputs

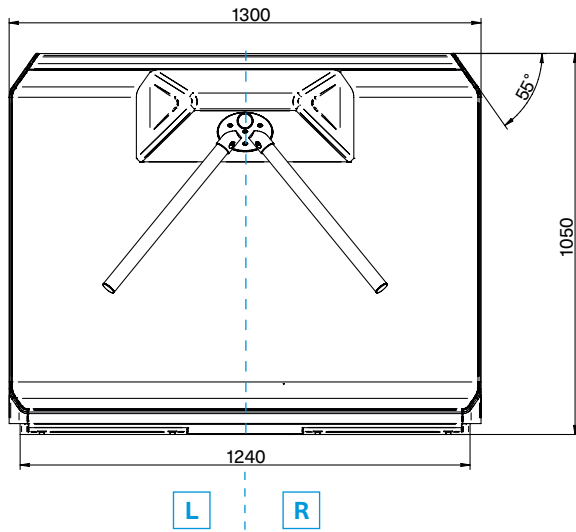
### Standard colours

	
White aluminium (similar to RAL 9006)	Jet black (similar to RAL 9005)

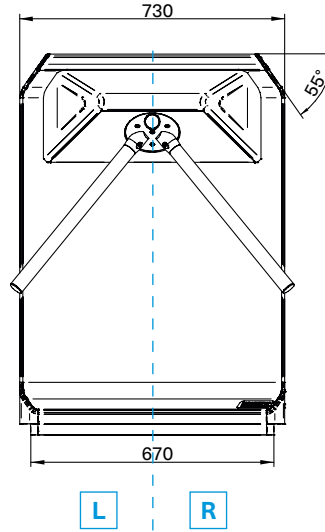
### Potential applications



mTripod – side view

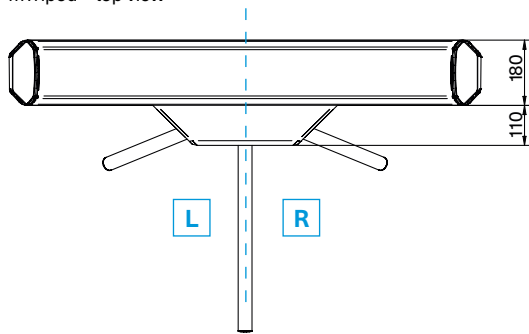


mTripod short – side view

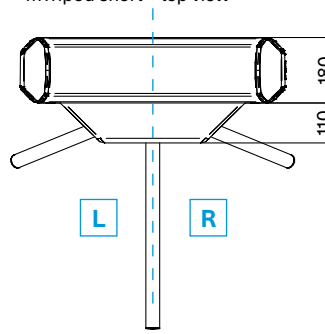


You can obtain options as left **L** or right **R** versions. If you look at the mTripod from the tip of the turnstile bar the option is on the left with the left version and on the right with the right version.

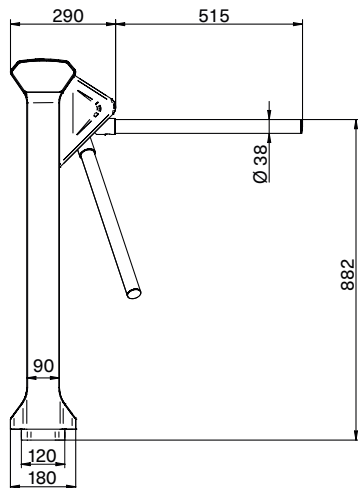
mTripod – top view



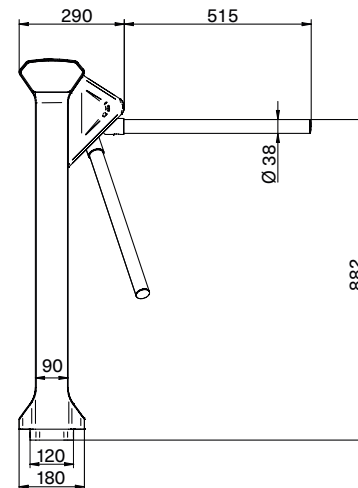
mTripod short – top view



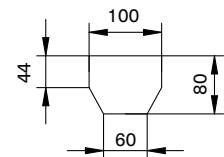
mTripod – front view



mTripod short – front view



Mounting space for reading devices for mTripod and mTripod short (without passage indicator, mounting depth 40 mm)



# Access to Progress

Magnetic stands for pioneering products – in every way. Our access control systems for vehicles or pedestrians clear the way for thousands of people every day – at car parks, toll gates, stations, airports and in buildings. Our technology is also pioneering, however: with innovative drives, intelligent control systems and well thought-out details it provides maximum safety and longevity. Are you also on the path to Magnetic?



## Vehicle barriers

Access barriers  
Parking barriers  
Toll barriers  
Special barriers



## Pedestrian gates

Turnstiles  
Swing gates  
Tripod gates  
Retractable gates  
Wing gates



## Terminals

Cars  
Trucks

*Germany*  
**MAGNETIC AUTOCONTROL GMBH**  
Grienmatt 20  
79650 Schopfheim  
Phone +49 7622 695-5  
Fax +49 7622 695-800  
E-mail [info@magnetic-germany.com](mailto:info@magnetic-germany.com)

*Australia*  
**MAGNETIC AUTOMATION PTY LTD**  
38 Metrolink Circuit  
Campbellfield, VIC 3061  
Phone +61 3 9339 2900  
E-mail [info@magnetic-oz.com](mailto:info@magnetic-oz.com)

*Austria*  
**FAAC GMBH**  
Münchner Bundesstraße 123  
5020 Salzburg  
Phone +43 662 853395-0  
E-mail [at.info@faacgroup.com](mailto:at.info@faacgroup.com)

*Benelux countries*  
**FAAC BENELUX NV/SA**  
Industriezone 3B  
8490 Jabbeke  
Belgium  
Phone +32 50 320202  
E-mail [info@magnetic-benelux.com](mailto:info@magnetic-benelux.com)

*Brazil*  
**MAGNETIC AUTOCONTROL LTDA**  
Rua Toledo Barbosa 491.  
03061-000 Belenzinho  
São Paulo - SP - Brasil  
Phone +55 11 5660 8500  
E-mail [info@magnetic-br.com](mailto:info@magnetic-br.com)

*China*  
**MAGNETIC CONTROL SYSTEMS CO., LTD**  
No. 3 Building, No. 51  
Lane 1159, Kang Qiao (East) Road  
Kang Qiao Industrial Zone, Shanghai  
Phone +86 21 68182970  
E-mail [info@magnetic-cn.com](mailto:info@magnetic-cn.com)

*France*  
**FAAC FRANCE**  
377 Rue Ferdinand Perrier  
69808 St Priest Cedex  
Phone +33 4 72 21 86 89  
E-mail [info@magnetic-fr.com](mailto:info@magnetic-fr.com)

*India*  
**MAGNETIC FAAC INDIA PVT LTD.**  
2/79, Rajiv Gandhi Salai (OMR)  
(Before Sangeetha Restaurant)  
Oggiyam Thoraipakkam,  
Chennai 600041  
Phone +91 44 421 23297  
E-mail [info@magnetic-india.com](mailto:info@magnetic-india.com)

*Ireland*  
**NATIONAL AUTOMATION LTD**  
Boyle Business Park,  
Boyle, Co. Roscommon  
F52 V590  
Phone + 353 71 9663893  
E-mail [sales@nal.ie](mailto:sales@nal.ie)

*Italy*  
**FAAC S.P.A. SOC. UNIPERSONALE**  
Via Calari, 10  
40069 Zola Predosa (BO)  
Phone +39 05161724  
[controlloaccessi@faactechnologies.com](mailto:controlloaccessi@faactechnologies.com)

*Middle East*  
**FAAC MIDDLE EAST FZE**  
Dubai Silicon Oasis  
PO Box 54886  
Dubai  
United Arab Emirates  
Phone +971 4 3724193  
E-mail [info@magnetic-uae.com](mailto:info@magnetic-uae.com)

*N. and S. America (excl. Brazil)*  
**FAAC INTERNATIONAL, INC**  
3160 Murell Road  
Rockledge, FL 32955  
USA  
Phone +1 321 635 8585  
E-mail [info@magnetic-usa.com](mailto:info@magnetic-usa.com)

*Scandinavia*  
**FAAC NORDIC AB**  
Box 125  
284 22 Perstorp  
Sweden  
Phone +46 435 77 95 03  
E-mail [info@magnetic-nordic.com](mailto:info@magnetic-nordic.com)

*Southeast Asia*  
**MAGNETIC CONTROL SYSTEMS SDN. BHD**  
No. 17, Jalan Anggerik Mokara 31/54  
Taman Perindustrian Kota Kemuning  
40460 Shah Alam  
Selangor Darul Ehsan  
Malaysia  
Phone +60 3 5123 0033  
E-mail [info@magnetic-malaysia.com](mailto:info@magnetic-malaysia.com)

*Spain*  
**CLEM, S.A.U.**  
Avda. de la Fuente Nueva, nº 12 –  
Nave 8–18  
28703 San Sebastián de los Reyes  
Madrid  
Phone: +34 91 358 11 10  
E-mail: [info@clemsa.es](mailto:info@clemsa.es)

*United Kingdom*  
**FAAC (UK) LIMITED**  
Unit 10 The Hatch Industrial Park,  
Greywell Road,  
Mapledurwell, Basingstoke, Hampshire,  
RG24 7NG  
Phone 01256 318100  
E-mail [sales@faac.co.uk](mailto:sales@faac.co.uk)