

Save time with our security solutions!

Thanks to the pre-assembled delivery of the MPT *3* turnstile

MAGNETIC[®]
ACCESS TO PROGRESS



Quickly install your perimeter protection!

The pre-assembled MPT turnstile enables you to speed up your customers' processes – and at the same time save valuable time and personnel when installing the perimeter protection. The turnstile is delivered to you in a fully prepared state ready for installation at the deployment site. All of the components have already been assembled on the base frame. You only need to connect the frame to the substructure, connect up the electrics and access control system and finish the flooring. Your turnstile is then ready to use! Moreover, you can also offer this turnstile variant as a mobile access control solution. In combination with

a suitable walkway surface, you can use it to secure building sites or temporary event locations for your customers or to enhance existing security measures.

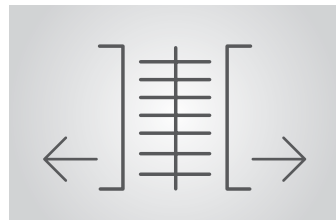
The fully assembled MPT can be transported in the warehouse or at the deployment site using a forklift truck. As with Euro Pallets, the driver simply inserts the fork arms into the premounted lifting slots to lift up the turnstile.

The pre-assembled MPT can be equipped with all options and accessories. These items are installed on site.



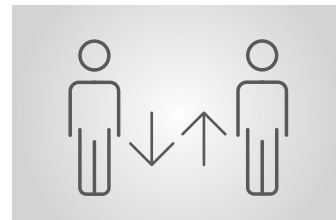
Quick commissioning process

The MPT is delivered in a fully assembled state on a base frame and only needs to be connected up and fixed in place at the deployment site. This saves you valuable time and personnel.



Mobile use

In combination with a suitable walkway surface, you can also use this turnstile as a mobile unit for the installation of temporary access controls – ideal for building sites, outdoor events and short-term security measures.



An entrance and exit

You can use the turnstile as both an entrance and exit simultaneously with the motorised and electro-mechanical variants. The mechanical variant is ideal for unsupervised exits.



For individual people

MPT turnstiles are the ideal solution for securing external areas with a high number of visitors. Numerous options are available for your access control solutions.

Pre-assembled MPT turnstile

- › Quick and easy installation and commissioning thanks to the pre-assembled delivery direct from the factory
- › The customer can place a walkway surface on top of the lifting slots (additional lifting slots are optionally available)
- › Adjustable lifting slots to fit the forklift truck and conditions at the deployment site
- › Reliable security for external areas and open-air grounds with a high number of visitors
- › Mechanical, electro-mechanical and motorised variants
- › Designed for 10 million opening and closing cycles



Technical data	MPT 132 3-wing	MPT 333 3-wing	MPT 330 3-wing
Number of wings (angle)	3 (120°)	3 (120°)	3 (120°)
Flow ratings (number of persons per minute) ¹	approx. 20	approx. 20	approx. 20
Drive technology	MHTM™	Electro-mechanical	Mechanical
Control system	MBC	MGC	–
Voltage	110–230 V AC, 50–60 Hz	100–240 V AC, 50–60 Hz	–
Power consumption	approx. 25 W (without accessories)	approx. 40 W (without accessories)	–
Duty cycle	100 %	100 %	–
Enclosure rating	IP43 (IP54 optionally available)	IP43 (IP54 optionally available)	IP43 (IP54 optionally available)
Dimensions (transport dimensions, L x W x H)	1520 x 1340 x 2415 mm	1520 x 1340 x 2415 mm	1520 x 1340 x 2415 mm
Weight	approx. 320 kg	approx. 320 kg	approx. 320 kg
Temperature range	–30 to +55 °C	–30 to +55 °C	–30 to +55 °C

¹ Depending on reader, lock setting and person behaviour

Potential applications



Requirement for transport by forklift truck

Recommended length of forks	≥ 1800 mm
Recommended load-carrying capacity	≥ 500 kg

Standard colour

RAL 7042

Special colours are also available on request and can be selected from the table of four-digit RAL colours.

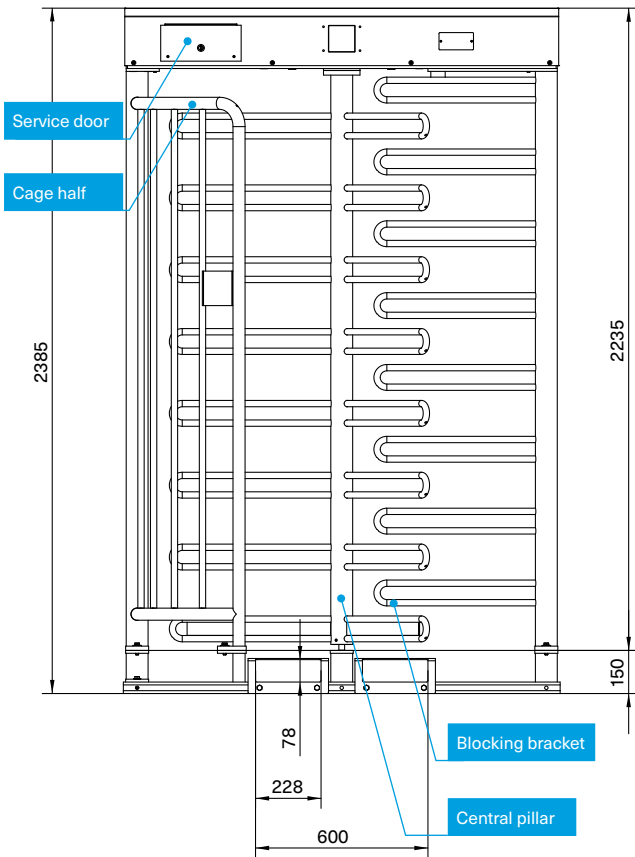
Accessories (selection)

- Add-on columns for a reader and communication equipment
- Passage indicator (GED)
- Roof attachment with a roof adapter
- Lighting
- Additional lifting slots as a base for a walkway surface

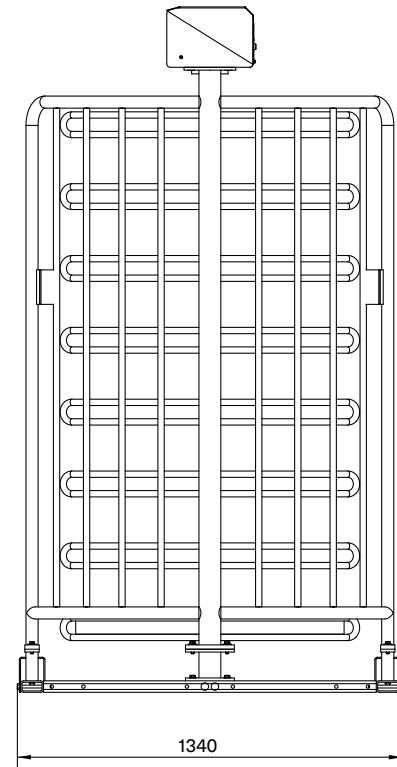
Accessories are always delivered separately and must be installed on site.

MPT – view from inside

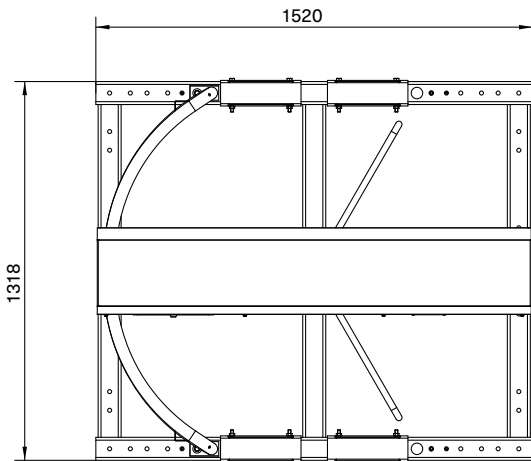
The service door is always located on the non-public side.



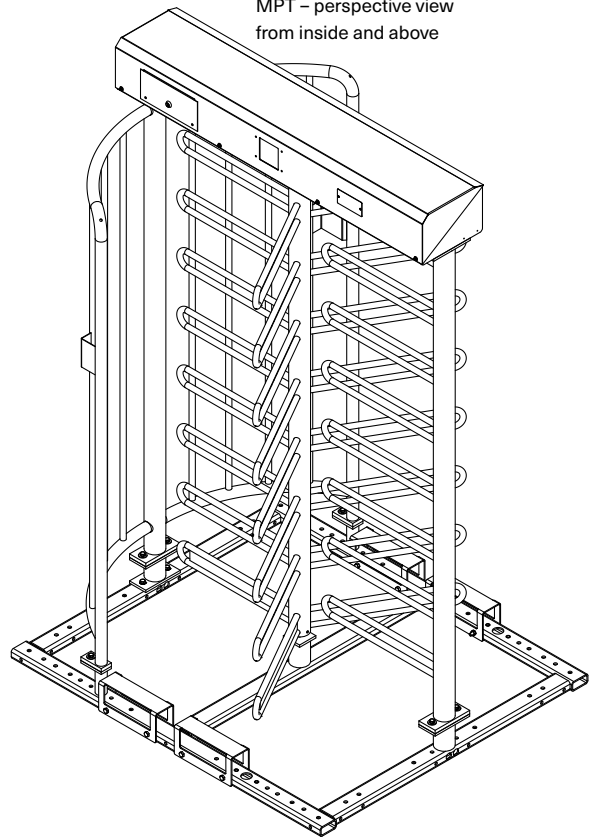
MPT – view from the side



MPT – view from above



MPT – perspective view from inside and above



Access to Progress

Magnetic stands for pioneering products – in every way. Our access control systems for vehicles or pedestrians clear the way for thousands of people every day – at car parks, toll gates, stations, airports and in buildings. Our technology is also pioneering, however: with innovative drives, intelligent control systems and well thought-out details it provides maximum safety and longevity. Are you also on the path to Magnetic?



Vehicle barriers

Access barriers
Parking barriers
Toll barriers
Special barriers



Pedestrian gates

Turnstiles
Swing gates
Tripod gates
Retractable gates
Wing gates



Terminals

Cars
Trucks

Germany
MAGNETIC AUTOCONTROL GMBH
Grienmatt 20
79650 Schopfheim
Phone +49 7622 695-5
Fax +49 7622 695-800
E-mail info@magnetic-germany.com

Australia
MAGNETIC AUTOMATION PTY LTD
38 Metrolink Circuit
Campbellfield, VIC 3061
Phone +61 3 9339 2900
E-mail info@magnetic-oz.com

Austria
FAAC GMBH
Münchner Bundesstraße 123
5020 Salzburg
Phone +43 662 853395-0
E-mail at.info@faacgroup.com

Benelux countries
FAAC BENELUX NV/SA
Industriezone 3B
8490 Jabbeke
Belgium
Phone +32 50 320202
E-mail info@magnetic-benelux.com

MAGNETIC AUTOCONTROL GMBH
www.magnetic-access.com

Brazil
MAGNETIC AUTOCONTROL LTDA
Rua Toledo Barbosa, 491
03061-000 Belenzinho
São Paulo - SP
Phone +55 11 5660 8500
E-mail info@magnetic-br.com

China
MAGNETIC CONTROL SYSTEMS CO., LTD
No. 3 Building, No. 51
Lane 1159, Kang Qiao (East) Road
Kang Qiao Industrial Zone, Shanghai
Phone +86 21 68182970
E-mail info@magnetic-cn.com

France
FAAC FRANCE
377 Rue Ferdinand Perrier
69808 St Priest Cedex
Phone +33 4 72 21 86 89
E-mail info@magnetic-fr.com

India
MAGNETIC FAAC INDIA PVT LTD.
PRS Centre
Plot No. 373 to 376, 2nd Floor (West Wing)
1st Cross Street, Nehru Nagar
Old Mahabalipuram Road
Kottivakkam (Opp Rayala Technopark,
Perungudi)
Chennai 600041
Phone +91 44 421 23297
E-mail info@magnetic-india.com

Ireland
NATIONAL AUTOMATION LTD
Boyle Business Park,
Boyle, Co. Roscommon
F52 V590
Phone + 353 71 9663893
E-mail sales@na1.ie

Italy
FAAC S.P.A. SOC. UNIPERSONALE
Via Calari, 10
40069 Zola Predosa (BO)
Phone +39 05161724
controlloaccessi@faactechnologies.com

Middle East
FAAC MIDDLE EAST FZE
Dubai Silicon Oasis
PO Box 54886
Dubai
United Arab Emirates
Phone +971 4 3724193
E-mail info@magnetic-uae.com

N. and S. America (excl. Brazil)
FAAC INTERNATIONAL, INC
3160 Murrell Road
Rockledge, FL 32955
USA
Phone +1 321 635 8585
E-mail info@magnetic-usa.com

Scandinavia
FAAC NORDIC AB
Box 125
284 22 Perstorp
Sweden
Phone +46 435 77 95 03
E-mail info@magnetic-nordic.com

Southeast Asia
MAGNETIC CONTROL SYSTEMS SDN. BHD
No. 17, Jalan Anggerik Mokara 31/54
Taman Perindustrian Kota Kemuning
40460 Shah Alam
Selangor Darul Ehsan
Malaysia
Phone +60 3 5123 0033
E-mail info@magnetic-malaysia.com

Spain
CLEM, S.A.U.
Avda. de la Fuente Nueva, nº 12 –
Nave 8–18
28703 San Sebastián de los Reyes
Madrid
Phone: +34 91 358 11 10
E-mail: info@clem.es

United Kingdom
FAAC (UK) LIMITED
Unit 10 The Hatch Industrial Park,
Greywell Road,
Mapledurwell, Basingstoke, Hampshire,
RG24 7NG
Phone 01256 318100
E-mail sales@faac.co.uk